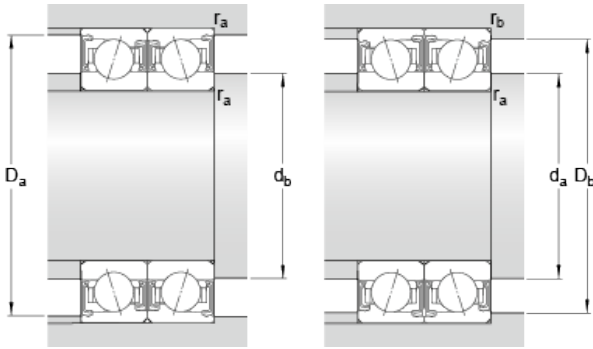




# NTL BEARINGS LTD.



## S7014 ACDTP/HCP4B SKF High Speed Angular Contact Ball Bearings

Bearing No. S7014 ACDTP/HCP4B

S7014 ACDTP/HCP4B Bearing 2D drawings and 3D CAD models

d	70 mm
D	110 mm
B	20 mm
d <sub>1</sub>	82.3 mm
d <sub>2</sub>	82.3 mm
D <sub>2</sub>	100.64 mm
r <sub>1,2</sub> min.	1.1 mm
r <sub>3,4</sub> min.	0.6 mm
a	31.1 mm
d <sub>a</sub> min.	76 mm
d <sub>a</sub> max.	81.7 mm
d <sub>b</sub> min.	76 mm
d <sub>b</sub> max.	81.7 mm
D <sub>a</sub> max.	104 mm
D <sub>b</sub> max.	106 mm
r <sub>a</sub> max.	1 mm
r <sub>b</sub> max.	0.6 mm
Basic dynamic load rating C	48.8 kN
Basic static load rating C <sub>0</sub>	44 kN
Fatigue load limit P <sub>u</sub>	1.86 kN
Attainable speed for grease lubrication	13000 r/min
Ball diameter D <sub>w</sub>	12.7 mm
Number of balls z	19
Preload class A G <sub>A</sub>	300 N
Static axial stiffness, preload	212 N/ μ m



## NTL BEARINGS LTD.

class A	
Preload class B $G_B$	600 N
Static axial stiffness, preload class B	276 N/ $\mu$ m
Preload class C $G_C$	1200 N
Static axial stiffness, preload class C	366 N/ $\mu$ m
Preload class D $G_D$	2400 N
Static axial stiffness, preload class D	496 N/ $\mu$ m
Calculation factor f	1.12
Calculation factor $f_1$	0.99
Calculation factor $f_{2A}$	1
Calculation factor $f_{2B}$	1.02
Calculation factor $f_{2C}$	1.05
Calculation factor $f_{2D}$	1.08
Calculation factor $f_{HC}$	1.02
Calculation factor e	0.68
Calculation factor (single, tandem) $Y_2$	0.87
Calculation factor (back-to-back, face-to-face) $Y_1$	0.92
Calculation factor (back-to-back, face-to-face) $Y_2$	1.41
Mass bearing	0.51 kg