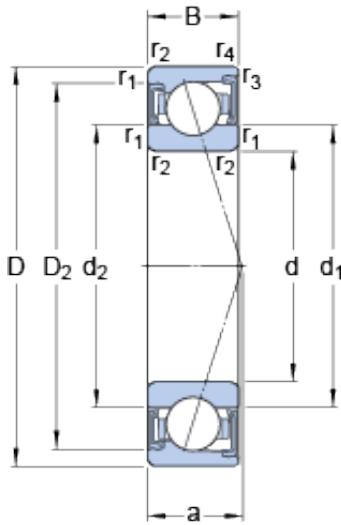




# NTL BEARINGS LTD.

## S71913 ACD/HCP4A SKF High Speed Angular Contact Ball Bearings

Bearing No. S71913 ACD/HCP4A



S71913 ACD/HCP4A Bearing 2D drawings and 3D CAD models

Size	90x65x13 mm
Bore Diameter	90 mm
Outer Diameter	65 mm
Width	13 mm
d	65 mm
D	90 mm
B	13 mm
d <sub>1</sub>	72.7 mm
d <sub>2</sub>	72.7 mm
D <sub>2</sub>	84.5 mm
r <sub>1,2</sub> - min.	1 mm
r <sub>3,4</sub> - min.	0.3 mm
a	24.7 mm
d <sub>a</sub> - min.	69.6 mm
d <sub>a</sub> - max.	72.1 mm
d <sub>b</sub> - min.	69.6 mm
d <sub>b</sub> - max.	72.1 mm
D <sub>a</sub> - max.	85.4 mm
D <sub>b</sub> - max.	88 mm
r <sub>a</sub> - max.	1 mm
r <sub>b</sub> - max.	0.3 mm
Basic dynamic load rating - C	19.5 kN
Basic static load rating - C <sub>0</sub>	16 kN
Fatigue load limit - P <sub>u</sub>	0.68 kN



## NTL BEARINGS LTD.

Limiting speed for grease lubrication	15000 r/min
Ball - $D_w$	7.938 mm
Ball - z	26
Calculation factor - e	0.68
Calculation factor - $Y_2$	0.87
Calculation factor - $Y_0$	0.38
Calculation factor - $X_2$	0.41
Calculation factor - $Y_1$	0.92
Calculation factor - $Y_2$	1.41
Calculation factor - $Y_0$	0.76
Calculation factor - $X_2$	0.67
Preload class A - $G_A$	120 N
Preload class B - $G_B$	240 N
Preload class C - $G_C$	480 N
Preload class D - $G_D$	960 N
Calculation factor - f	1.2
Calculation factor - $f_1$	0.98
Calculation factor - $f_{2A}$	1
Calculation factor - $f_{2B}$	1.07
Calculation factor - $f_{2C}$	1.12
Calculation factor - $f_{2D}$	1.17
Calculation factor - $f_{HC}$	1.04
Preload class A	151 N/micron
Preload class B	196 N/micron
Preload class C	257 N/micron
Preload class D	345 N/micron
$d_1$	72.7 mm
$d_2$	72.7 mm
$D_2$	84.5 mm



## NTL BEARINGS LTD.

$r_{1,2}$ min.	1 mm
$r_{3,4}$ min.	0.3 mm
$d_a$ min.	69.6 mm
$d_a$ max.	72.1 mm
$d_b$ min.	69.6 mm
$d_b$ max.	72.1 mm
$D_a$ max.	85.4 mm
$D_b$ max.	88 mm
$r_a$ max.	1 mm
$r_b$ max.	0.3 mm
Basic dynamic load rating C	19.5 kN
Basic static load rating $C_0$	16 kN
Fatigue load limit $P_u$	0.68 kN
Attainable speed for grease lubrication	15000 r/min
Ball diameter $D_w$	7.938 mm
Number of balls z	26
Preload class A $G_A$	120 N
Static axial stiffness, preload class A	151 N/ $\mu$ m
Preload class B $G_B$	240 N
Static axial stiffness, preload class B	196 N/ $\mu$ m
Preload class C $G_C$	480 N
Static axial stiffness, preload class C	257 N/ $\mu$ m
Preload class D $G_D$	960 N
Static axial stiffness, preload class D	345 N/ $\mu$ m
Calculation factor f	1.2
Calculation factor $f_1$	0.98
Calculation factor $f_{2A}$	1
Calculation factor $f_{2B}$	1.07
Calculation factor $f_{2C}$	1.12



## NTL BEARINGS LTD.

Calculation factor $f_{2D}$	1.17
Calculation factor $f_{HC}$	1.04
Calculation factor $e$	0.68
Calculation factor (single, tandem) $Y_2$	0.87
Calculation factor (single, tandem) $Y_0$	0.38
Calculation factor (single, tandem) $X_2$	0.41
Calculation factor (back-to-back, face-to-face) $Y_1$	0.92
Calculation factor (back-to-back, face-to-face) $Y_2$	1.41
Calculation factor (back-to-back, face-to-face) $Y_0$	0.76
Calculation factor (back-to-back, face-to-face) $X_2$	0.67
Mass bearing	0.18 kg