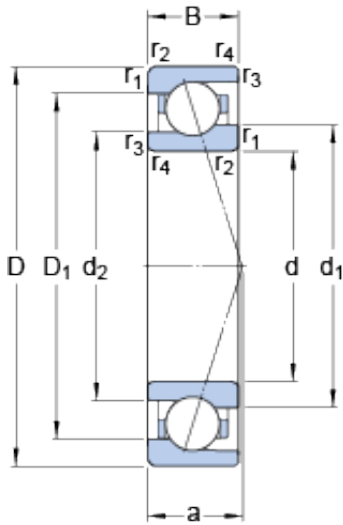




NTL BEARINGS LTD.

71913 CE/P4A SKF High Speed Angular Contact Ball Bearings

Bearing No. 71913 CE/P4A



71913 CE/P4A Bearing 2D drawings and 3D CAD models

Size	90x65x13 mm
Bore Diameter	90 mm
Outer Diameter	65 mm
Width	13 mm
d	65 mm
D	90 mm
B	13 mm
d ₁	72.75 mm
d ₂	70.7 mm
D ₁	82.32 mm
r _{1,2} - min.	1 mm
r _{3,4} - min.	0.3 mm
a	17.5 mm
d _a - min.	69.6 mm
d _b - min.	67 mm
D _a - max.	85.4 mm
D _b - max.	88 mm
r _a - max.	1 mm
r _b - max.	0.3 mm
d _n	74.5 mm
Basic dynamic load rating - C	16.5 kN
Basic static load rating - C ₀	12.5 kN
Fatigue load limit - P _u	0.53 kN
Limiting speed for grease	20000 r/min



NTL BEARINGS LTD.

Lubrication	
Limiting speed for oil lubrication	31000 mm/min
Ball - D_w	7.938 mm
Ball - z	24
G_{ref}	2.6 cm ³
Calculation factor - f_0	8.5
Preload class A - G_A	89 N
Preload class B - G_B	266 N
Preload class C - G_C	532 N
Calculation factor - f	1.19
Calculation factor - f	1
Calculation factor - f_{2A}	1
Calculation factor - f_{2B}	1.04
Calculation factor - f_{2C}	1.08
Calculation factor - f_{HC}	1
Preload class A	47 N/micron
Preload class B	76 N/micron
Preload class C	105 N/micron
Category	Precision Ball Bearings
Inventory	0.0
Manufacturer Name	SKF
Minimum Buy Quantity	N/A
Weight / Kilogram	0
Product Group	B04270
Enclosure	Open
Precision Class	ABEC 7 ISO P4
Material - Ball	Steel
Number of Bearings	1 (Single)
Contact Angle	15 Degree
Preload	None



NTL BEARINGS LTD.

Raceway Style	1 Rib Inner Ring and Outer Ring
Cage Material	Phenolic
Rolling Element	Ball Bearing
Flush Ground	No
Inch - Metric	Metric
Other Features	Single Row Angular Contact High Speed E Design
Long Description	65MM Bore; 90MM Outside Diameter; 13MM Width; Open Enclosure; ABEC 7 ISO P4 Precision; Steel Ball Material; 1 (Single) Bearing; 15 Degree Contact Angle; Phenolic Cage Material; 1 Rib Inner Ring and
Category	Precision Ball Bearings
UNSPSC	31171531
Harmonized Tariff Code	8482.10.50.28
Noun	Bearing
Keyword String	Ball Angular Contact
Manufacturer URL	http://www.skf.com
Outside Diameter	3.543 Inch 90 Millimeter
Width	0.512 Inch 13 Millimeter
Bore	2.559 Inch 65 Millimeter
d_1	72.75 mm
d_2	70.7 mm
D_1	82.32 mm
$r_{1,2}$ min.	1 mm
$r_{3,4}$ min.	0.3 mm
d_a min.	69.6 mm
d_b min.	67 mm
D_a max.	85.4 mm
D_b max.	88 mm



NTL BEARINGS LTD.

r_a max.	1 mm
r_b max.	0.3 mm
d_n	74.5 mm
Basic dynamic load rating C	16.5 kN
Basic static load rating C_0	12.5 kN
Fatigue load limit P_u	0.53 kN
Attainable speed for grease lubrication	20000 r/min
Attainable speed for oil-air lubrication	31000 r/min
Ball diameter D_w	7.938 mm
Number of balls z	24
Reference grease quantity G_{ref}	2.6 cm ³
Preload class A G_A	89 N
Static axial stiffness, preload class A	47 N/ μ m
Preload class B G_B	266 N
Static axial stiffness, preload class B	76 N/ μ m
Preload class C G_C	532 N
Static axial stiffness, preload class C	105 N/ μ m
Calculation factor f	1.19
Calculation factor f_1	1
Calculation factor f_{2A}	1
Calculation factor f_{2B}	1.04
Calculation factor f_{2C}	1.08
Calculation factor f_{HC}	1
Calculation factor f_0	8.5
Mass bearing	0.2 kg